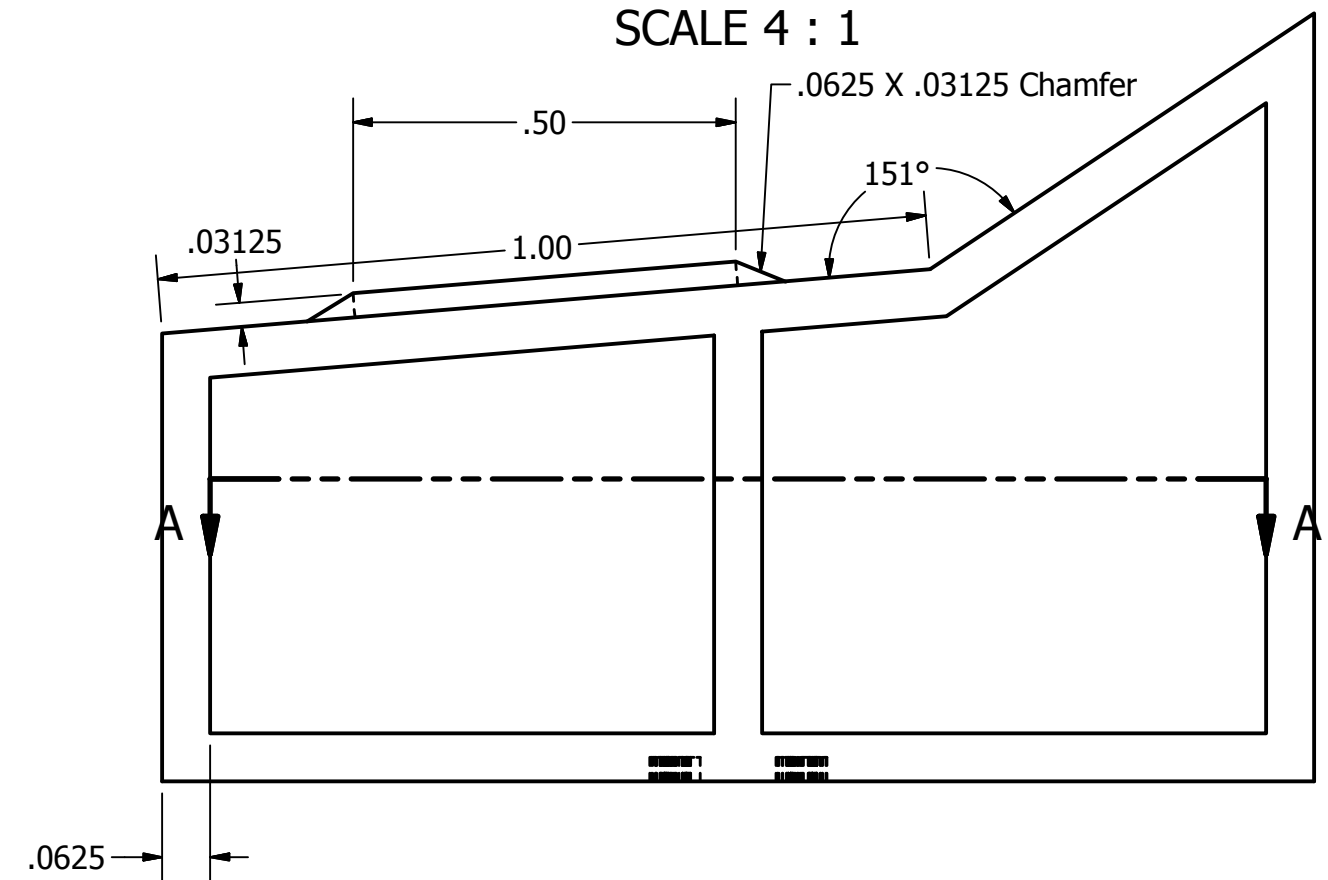
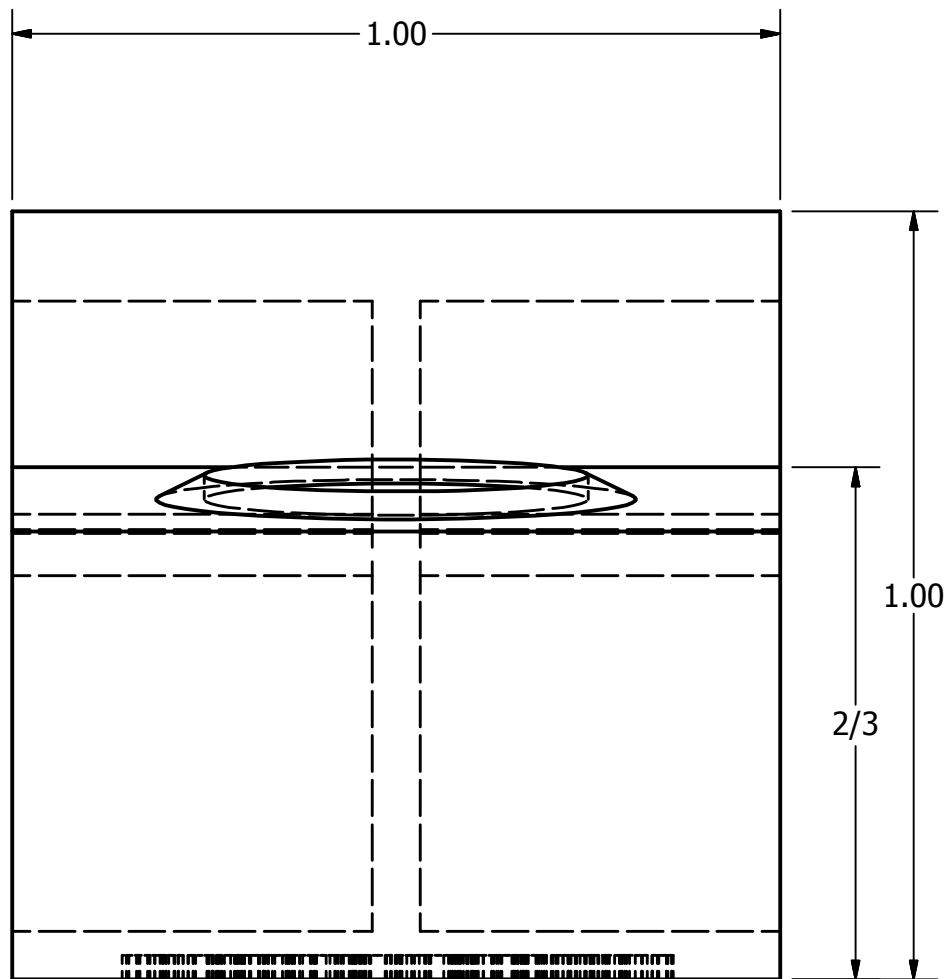


SECTION A-A  
SCALE 4 : 1



DRAWN parsonsrob	5/15/2014	TITLE		
CHECKED				
QA				
MFG				
APPROVED		SIZE C	DWG NO laptopst	REV
		SCALE	SHEET 1 OF 1	